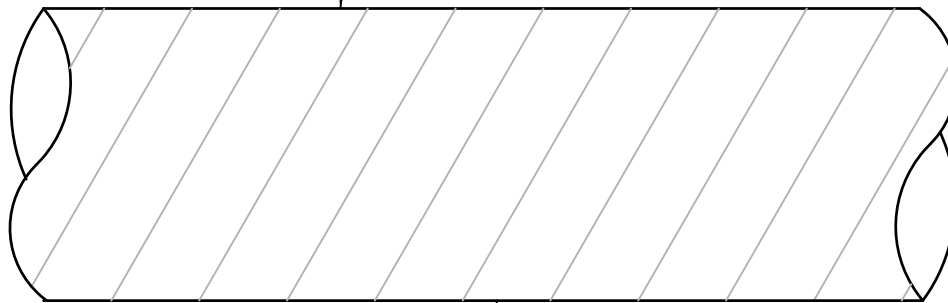




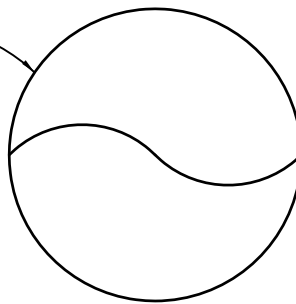
SPIRAL LOCK SEAM DUCT
FABRICATED WITH A SPIRO
TUBE FORMER MODEL 1600



SPIRAL DUCT

SPIRAL DUCT PLAN VIEW

SPIRAL DUCT



SPIRAL DUCT END VIEW

SPIRAL DUCT
4" W.G. +/- PRESSURE CLASSIFICATION

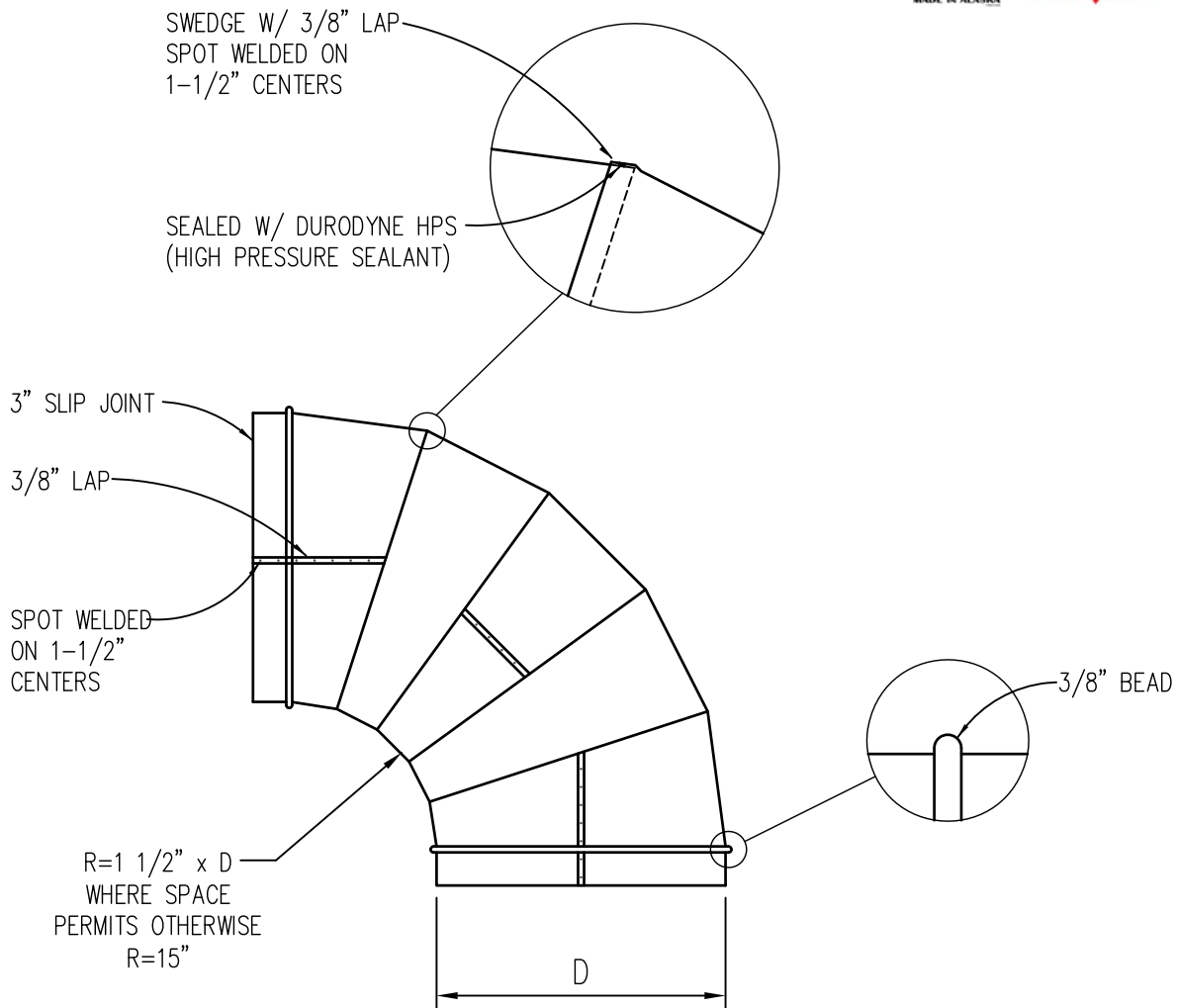
DIMENSION DUCT DIAMETER	MINIMUM GAUGE	JOINTS AND CONNECTION
0"-26"	24	SLIP
27"-36"	22	SLIP
37"-50"	20	SLIP
51"-60"	18	COMPANION FLANGE
61" & UP	18	COMPANION FLANGE

SUBJECT TO CHANGE W/O NOTICE



9135 KING STREET • ANCHORAGE, ALASKA 99515-1927
PHONE: 907-522-5959 • FAX: 907-522-6006

PROJECT:	
ENGINEER:	
CONTRACTOR:	
TITLE:	GMI-GALV-4



ROUND ELL 0° - 90°

DIMENSION DUCT DIAMETER 0"-14"	DEGREE ELBOW 45° & 90° (ONLY)	NUMBER OF GORES DIE FORMED	JOINTS AND CONNECTION SLIP
--------------------------------------	--	----------------------------------	----------------------------------

DEGREE ELBOW	NUMBER OF GORES	DIMENSION DUCT DIAMETER	MINIMUM GAUGE	JOINTS AND CONNECTION
0-45°	3	0"-26"	22	SLIP
46-60°	4	27"-36"	20	SLIP
61-90°	5	37"-50"	20	SLIP
		51" & 60"	18	COMPANION FLANGE
		61" & UP	16	COMPANION FLANGE

NOTE:
SEALING REQUIREMENTS COMPLY WITH
SMACNA CLASS A, 4" W.G. AND UP
ALL TRANSVERSE JOINTS, LONGITUDINAL
SEAMS W/ DURODYNE HPS
(HIGH PRESSURE SEALANT)

SUBJECT TO CHANGE W/O NOTICE



9135 KING STREET • ANCHORAGE, ALASKA 99515-1927
PHONE: 907-522-5959 • FAX: 907-522-6006

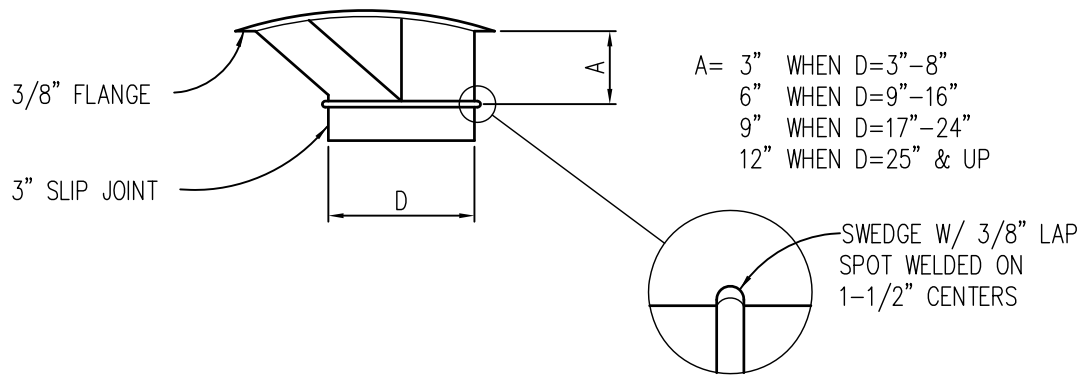
PROJECT:

ENGINEER:

CONTRACTOR:

TITLE:

GMI-GALV-4



90° OVAL TO ROUND TAP

DIMENSION DUCT DIAMETER	MINIMUM GAUGE	JOINTS AND CONNECTION
0"-26"	22	SLIP
27"-36"	20	SLIP
37"-50"	20	SLIP
51" & 60"	18	COMPANION FLANGE
61" & UP	16	COMPANION FLANGE

NOTE:

SEALING REQUIREMENTS COMPLY WITH
 SMACNA CLASS A, 4" W.G. AND UP
 ALL TRANSVERSE JOINTS, LONGITUDINAL
 SEAMS W/ DURODYNE HPS
 (HIGH PRESSURE SEALANT)

SUBJECT TO CHANGE W/O NOTICE



9135 KING STREET • ANCHORAGE, ALASKA 99515-1927
 PHONE: 907-522-5959 • FAX: 907-522-6006

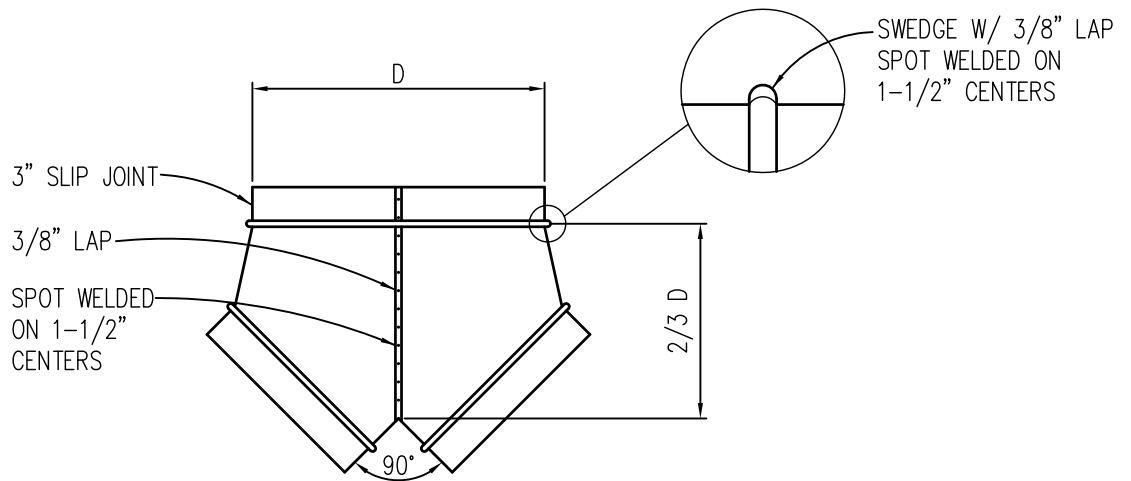
PROJECT:

ENGINEER:

CONTRACTOR:

TITLE:

GMI-GALV-4



ROUND WYE FITTING

DIMENSION DUCT DIAMETER	MINIMUM GAUGE	JOINTS AND CONNECTION
0"-26"	22	SLIP
27"-36"	20	SLIP
37"-50"	20	SLIP
51" & 60"	18	COMPANION FLANGE
61" & UP	16	COMPANION FLANGE

NOTE:
SEALING REQUIREMENTS COMPLY WITH
SMACNA CLASS A, 4" W.G. AND UP
ALL TRANSVERSE JOINTS, LONGITUDINAL
SEAMS W/ DURODYNE HPS
(HIGH PRESSURE SEALANT)

SUBJECT TO CHANGE W/O NOTICE



9135 KING STREET • ANCHORAGE, ALASKA 99515-1927
PHONE: 907-522-5959 • FAX: 907-522-6006

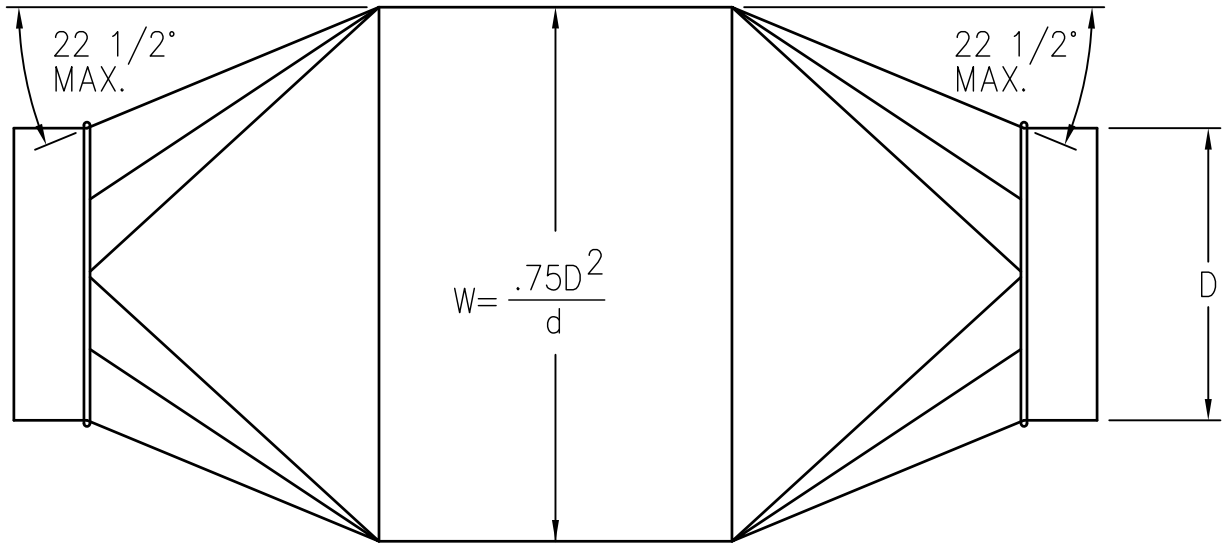
PROJECT:

ENGINEER:

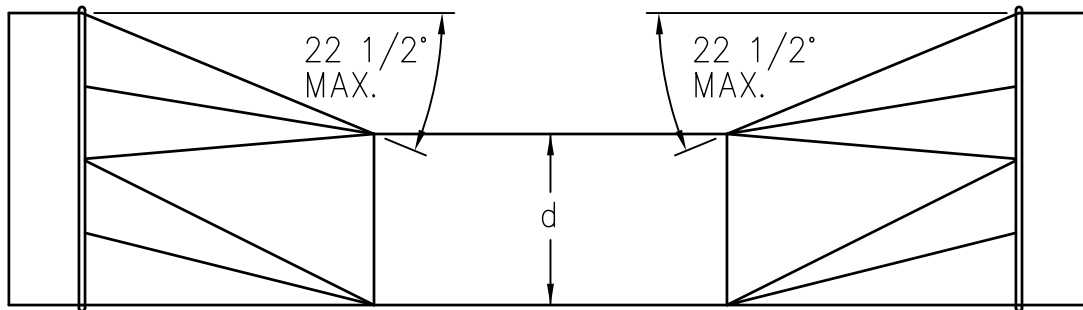
CONTRACTOR:

TITLE:

GMI-GALV-4



PLAN VIEW



ELEVATION

CONSTRICION ROUND TO RECTANGLE TO ROUND

DIMENSION DUCT DIAMETER	MINIMUM GAUGE	JOINTS AND CONNECTION
0"–26"	22	SLIP
27"–36"	20	SLIP
37"–50"	20	SLIP
51" & 60"	18	COMPANION FLANGE
61" & UP	16	COMPANION FLANGE

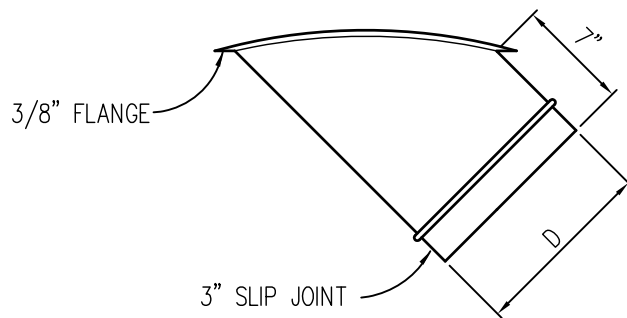
NOTE:
SEALING REQUIREMENTS COMPLY WITH
SMACNA CLASS A, 4" W.G. AND UP
ALL TRANSVERSE JOINTS, LONGITUDINAL
SEAMS W/ DURODYNE HPS
(HIGH PRESSURE SEALANT)

SUBJECT TO CHANGE W/O NOTICE



9135 KING STREET • ANCHORAGE, ALASKA 99515-1927
PHONE: 907-522-5959 • FAX: 907-522-6006

PROJECT:	
ENGINEER:	
CONTRACTOR:	
TITLE:	GMI-GALV-4



ROUND 45° TAP

DIMENSION DUCT DIAMETER	MINIMUM GAUGE	JOINTS AND CONNECTION
0"–26"	22	SLIP
27"–36"	20	SLIP
37"–50"	20	SLIP
51" & 60"	18	COMPANION FLANGE
61" & UP	16	COMPANION FLANGE

NOTE:
SEALING REQUIREMENTS COMPLY WITH
SMACNA CLASS A, 4" W.G. AND UP
ALL TRANSVERSE JOINTS, LONGITUDINAL
SEAMS W/ DURODYNE HPS
(HIGH PRESSURE SEALANT)

SUBJECT TO CHANGE W/O NOTICE



9135 KING STREET • ANCHORAGE, ALASKA 99515-1927
PHONE: 907-522-5959 • FAX: 907-522-6006

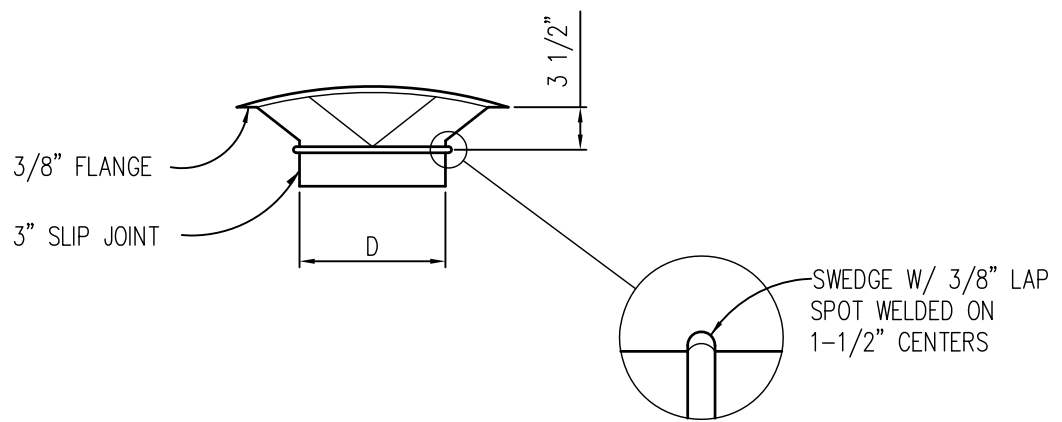
PROJECT:

ENGINEER:

CONTRACTOR:

TITLE:

GMI-GALV-4



90° CONICAL TAP

DIMENSION DUCT DIAMETER	MINIMUM GAUGE	JOINTS AND CONNECTION
0"–26"	22	SLIP
27"–36"	20	SLIP
37"–50"	20	SLIP
51" & 60"	18	COMPANION FLANGE
61" & UP	16	COMPANION FLANGE

NOTE:

SEALING REQUIREMENTS COMPLY WITH SMACNA CLASS A, 4" W.G. AND UP ALL TRANSVERSE JOINTS, LONGITUDINAL SEAMS W/ DURODYNE HPS (HIGH PRESSURE SEALANT)

SUBJECT TO CHANGE W/O NOTICE



9135 KING STREET • ANCHORAGE, ALASKA 99515-1927
PHONE: 907-522-5959 • FAX: 907-522-6006

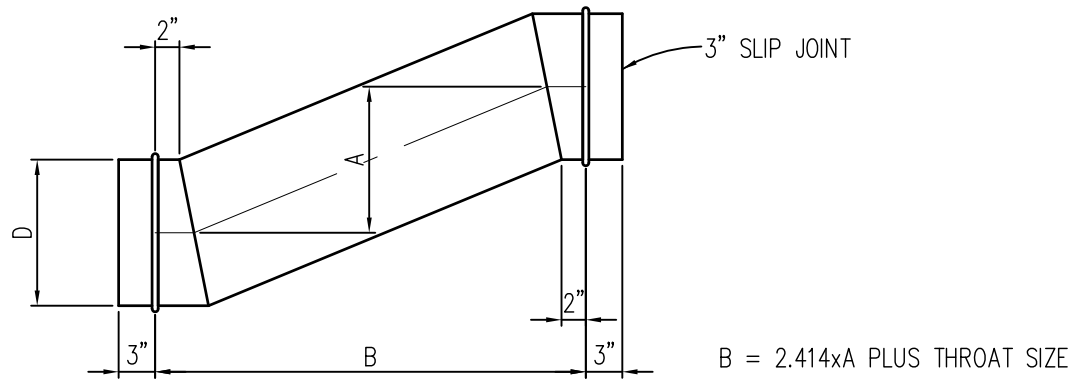
PROJECT:

ENGINEER:

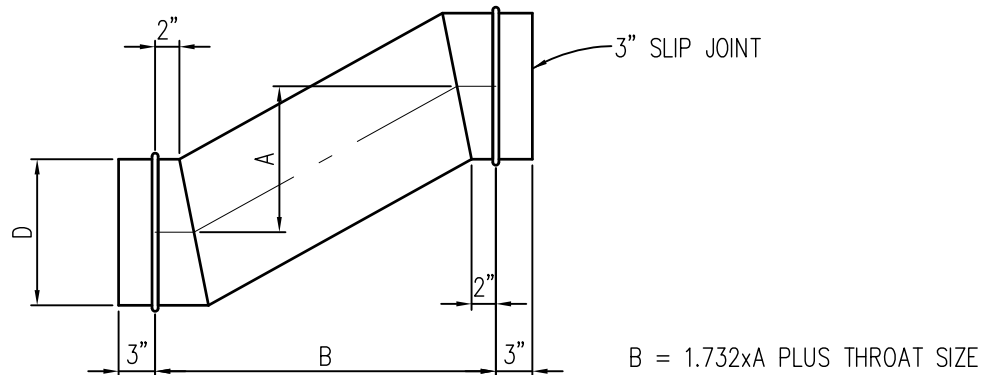
CONTRACTOR:

TITLE:

GMI-GALV-4



ROUND 22 1/2° OFFSET.



ROUND 30° OFFSET

DIMENSION DUCT DIAMETER	MINIMUM GAUGE	JOINTS AND CONNECTION
0"–26"	22	SLIP
27"–36"	20	SLIP
37"–50"	20	SLIP
51" & 60"	18	COMPANION FLANGE
61" & UP	16	COMPANION FLANGE

NOTE:
SEALING REQUIREMENTS COMPLY WITH
SMACNA CLASS A, 4" W.G. AND UP
ALL TRANSVERSE JOINTS, LONGITUDINAL
SEAMS W/ DURODYNE HPS
(HIGH PRESSURE SEALANT)

SUBJECT TO CHANGE W/O NOTICE



9135 KING STREET • ANCHORAGE, ALASKA 99515-1927
PHONE: 907-522-5959 • FAX: 907-522-6006

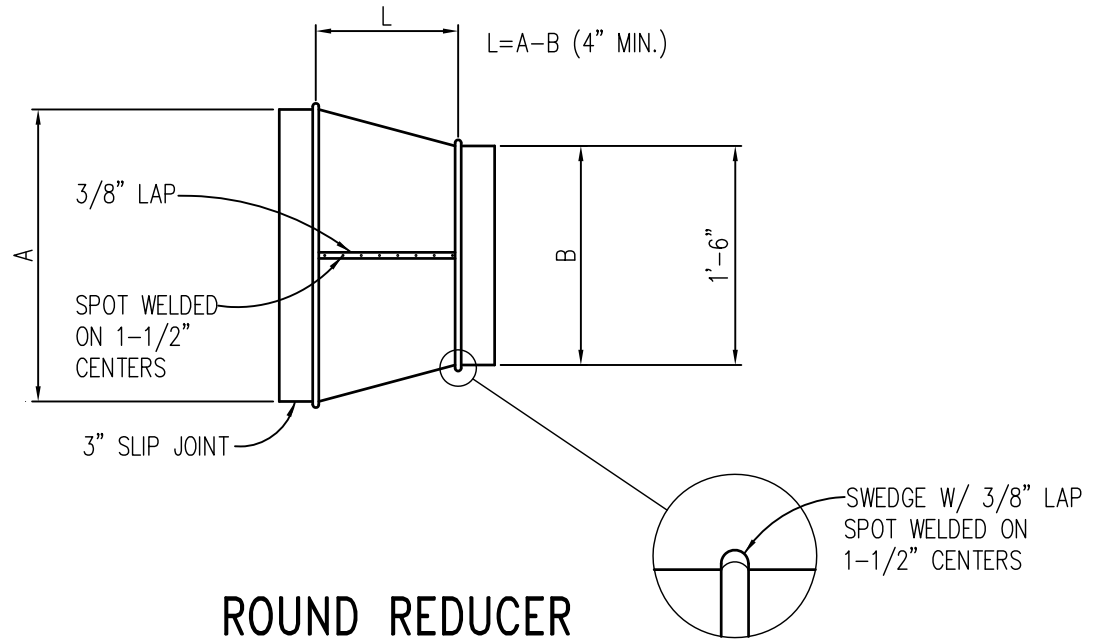
PROJECT:

ENGINEER:

CONTRACTOR:

TITLE:

GMI-GALV-4



ROUND REDUCER

DIMENSION DUCT DIAMETER	MINIMUM GAUGE	JOINTS AND CONNECTION
0"-26"	22	SLIP
27"-36"	20	SLIP
37"-50"	20	SLIP
51" & 60"	18	COMPANION FLANGE
61" & UP	16	COMPANION FLANGE

NOTE:
SEALING REQUIREMENTS COMPLY WITH
SMACNA CLASS A, 4" W.G. AND UP
ALL TRANSVERSE JOINTS, LONGITUDINAL
SEAMS W/ DURODYNE HPS
(HIGH PRESSURE SEALANT)

SUBJECT TO CHANGE W/O NOTICE



9135 KING STREET • ANCHORAGE, ALASKA 99515-1927
PHONE: 907-522-5959 • FAX: 907-522-6006

PROJECT:

ENGINEER:

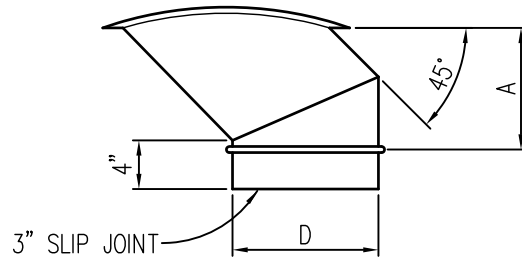
CONTRACTOR:

TITLE:

GMI-GALV-4



A= 5"	WHEN D= 4"∅
5"	5"∅
5 1/2"	6"∅
6"	7"∅
6 1/2"	8"∅
7"	9"∅
8 1/2"	10"∅
10"	12"∅
11"	14"∅
12"	16"∅
13"	18"∅
14"	20"∅
15"	22"∅
16"	24"∅
17"	26"∅



ROUND 45/90 TAP

DIMENSION DUCT DIAMETER	MINIMUM GAUGE	JOINTS AND CONNECTION
0"–26"	22	SLIP
27"–36"	20	SLIP
37"–50"	20	SLIP
51" & 60"	18	COMPANION FLANGE
61" & UP	16	COMPANION FLANGE

NOTE:

SEALING REQUIREMENTS COMPLY WITH SMACNA CLASS A, 4" W.G. AND UP ALL TRANSVERSE JOINTS, LONGITUDINAL SEAMS W/ DURODYNE HPS (HIGH PRESSURE SEALANT)

SUBJECT TO CHANGE W/O NOTICE



9135 KING STREET • ANCHORAGE, ALASKA 99515-1927
PHONE: 907-522-5959 • FAX: 907-522-6006

PROJECT:

ENGINEER:

CONTRACTOR:

TITLE:

GMI-GALV-4